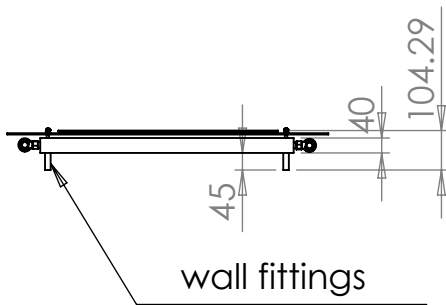
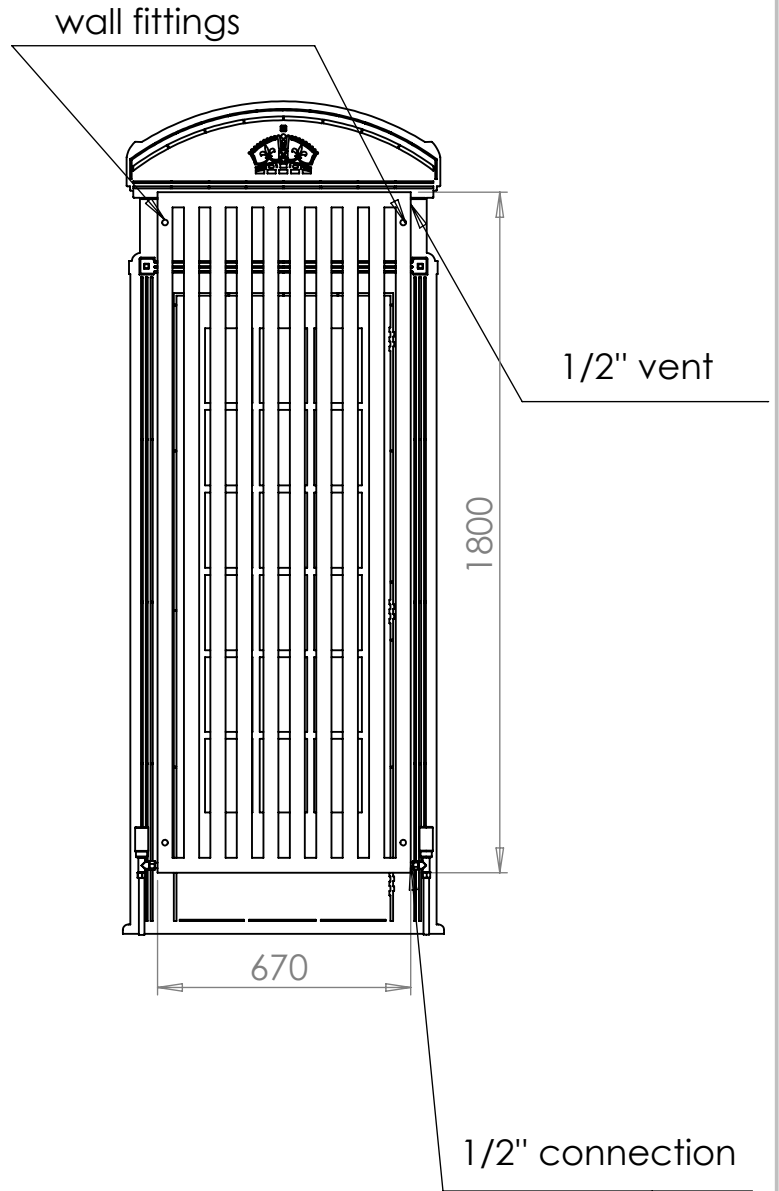


H-2202mm



UNLESS OTHERWISE SPECIFIED:
DIMENSIONS ARE IN MILLIMETERS
SURFACE FINISH: Stainless Steel

FINISH:
Heating element - Brushed Stainless Steel
Front Red Box-Painted steel

DEBUR AND
BREAK SHARP
EDGES

DO NOT SCALE DRAWING

REVISION

EN 422 Δt 60°C 90/70/20
Heat Output: 2185 Watts - 7456 BTU

NAME	SIGNATURE	DATE	
DRAWN Marcin Paczkowski		2012.12.28	
CHK'D			
APPV'D			
MFG			
Q.A			MATERIAL: Stainless Steel
			WEIGHT:

Art-Radiators.com

DWG NO.

Red Telephone Box Radiator

A4

SCALE:1:20

SHEET 1 OF 1